



Electronic Piano

USER MANUAL

Software download address:<http://kohoxo.com/en-piano.zip>



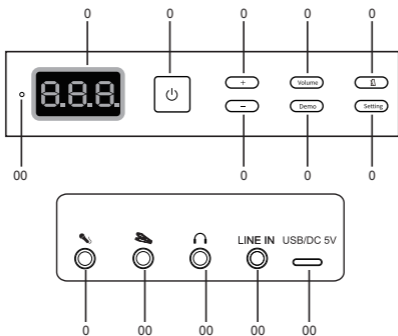
Thanks for buying the electronic piano

Our company with 15 years experience of developing,producing a series of productions,about the portable piano and roll up drum kit.This product is light and very portable,in order to have the best use of the product,please strictly follow the instructions and precautions in the manual.May you enjoy it.Thanks for your cooperation.

I .The feature of the product:

- 61/88standard keys (includes the black key)
- Tone:129 tones
- Rhythm:128 rhythms
- Demo:30 demos
- Record and playback function
- Rhythm function
- Demo function
- Metronome function
- Dual keyboard function
- Dynamic switch function
- Reset function
- LED display
- Sustain pedal,complex sustain pedal
- Blue-tooth MIDI function
- Blue-tooth audio function
- Power supply:1.Built-in battery 3.7v/1800mAh (Only for battery version)
2.USB 5V/1A power supply

II .Explanation of function button:



0		LED display	0	Setting	Setting button
0		ON/OFF	0		MIC interface
0	+	Increase button	00		Sustain/Pedal interface
0	-	Decrease button	00		Headphone interface
0	Volume	Volume button	00		Audio interface
0	Demo	Demo button	00		Power/MIDI interface
0		Metronome button	00		Charging indicator

The image of standard piano



Combination function key area

Operating way: Press "Setting" button do not release, and press the corresponding function key to get the corresponding function

Piano	Marimba	Church Organ	Distortion guitar	Acoustic bass	String Ensemble0	Trumpet	Tenor Sax	Clarinet	Pan Flute	0/0	0/0	0/0	0/0	REC	REC	Syncho	0	0	0	0	0	0	0	0	0	0	0	0	Prompt
C	D	E	F	G	A	B	c	d	e	f	g	a	b	c ¹	d ¹	e ¹	f ¹	a ¹	b ¹	c ¹	d ¹	e ¹	f ¹	a ¹	b ¹	c ¹	d ¹	e ¹	f ¹

III. Function description

0.ON/OFF button

Press power switch for 0.0 seconds to open, repress to close.

0.Tone

Built-in 000 tones

Default tone selection when open, press "+ -" button to select the tone.

Press "Setting" button do not release and press "C" key to decrease tone;

Press "Setting" button, do not release, and press "D" key to increase tone.

Common tone selection: press "Setting" button do not release, and press the corresponding black key to select the common tone quickly.

Black C¹ (Piano), Black D¹ (Marimba), Black F¹ (Church Organ), Black G¹ (Distortion guitar), Black A¹ (Acoustic bass), Black c¹ (String Ensemble0), Black d¹ (Trumpet), Black f¹ (Tenor Sax), black g¹ (Clarinet), Black a¹ (Pan Flute).

0.Rhythm

Built-in 000 rhythms

Repress "Setting" button do not release, and press "E" key to decrease rhythm; Press "Setting" button do not release, and press "F" key to increase rhythm.

0.Tempo

Under playing, press "Setting" button do not release, and press "G" key to decrease tempo; Press "Setting" button do not release, and press "A" key to increase tempo.

0.Demo

Built-in 00 demos

Press the "Demo" button on the panel, then repress "+ -" to select the demos.

Press "Setting" button do not release and press "B" key to decrease demo; Press "Setting" button do not release, and press "C" key to increase demo.

0.Trans

Total 00 levels:-0,-0,-0,-0,-0,0,0,0,0,0,0

Press "Setting" button do not release, and press "d" key to decrease trans; Press "Setting" button do not release, and press "e" key to increase trans.

0.Volume

Press the "Volume" button on the panel, then repress " + - " to increase or decrease the sound.

Press "Setting" button do not release, and press "f" key to decrease the volume; Press "Setting" button do not release, and press "g" key to increase the volume.

0.Sustain

Press "Setting" button do not release, and press "a" key to open or close the sustain function.

0.Vibrato

Press "Setting" button do not release, and press "b" key to open or close the vibrato function.

00.Reset

Press "Setting" button do not release, and press "c" to reset.

00.Metronome

Press the  button on the panel, then repress " + - " can adjust the beat

Press "Setting" button do not release, and press "d" key to open or close the metronome function.

Metronome have 0 variations, 0/0(black key#c°), 0/0(black key#d°), 0/0(black key#e°), 0/0(black key#f°)

00.Dual voice

Press "Setting" button do not release, and press "e" key to open or close dual voice function.

00.Dual keyboard

Press "Setting" button do not release, and press "f" key to open or close dual keyboard.

00.Dynamic

Press "Setting" button do not release, and press "g" key to open or close dynamic function.

00.Full fingered

Press "Setting" button do not release, and press "a" key to open or close full fingered function.

00.Learning

Press "Setting" button do not release, and press "b" key to open or close learning function.

00.Start/Stop

Press "Setting" button do not release, and press "c" key to open or close learning function.

00.REC

Press "Setting" button do not release, and press "d" key to open or close record function.

00.REC/▶

Press "Setting" button do not release, and press "e" key to open or close record/playback function.

00.Syncho function

Press "Setting" button do not release, and press "f" key to open or close syncho function.

00.Number button

Press "Setting" button,do not release,and press [g⁰]、[a⁰]、[b⁰]、[c⁰]、[d⁰]、[e⁰]、[f⁰]、[g⁰]、[a⁰]、[b⁰] respectively,to select the number 0,0,0,0,0,0,0,0,0,0 respectively.

00.Prompt tone switch



Press "Setting" button do not release,and press "c⁰" to open or close the key prompt tone.

00.Blue-tooth APP function(Bluetooth 5.0)

.Search MIDI PIANO to connect by mobile APP

.iPhone connection method:

Pop piano connection:

- 1.Scan the QR code to download the Pop piano;
- 2.Turn on the Bluetooth in your phone then open the Pop piano APP,select any song,start playing after entering;
- 3.Click on the top left of the phone screen ,select after opening:Bluetooth connection-Next-confirm to connect with the Bluetooth;
- 4.Confirming Bluetooth connection,this icon is blue .

GarageBand connection:



- 1.Open the GarageBand in your phone,if not,please download by yourself;
- 2.Turn on the Bluetooth in your phone;
- 3.Open the GarageBand,click the setting icon on the top right of the phone screen;
- 4.Song setting-advanced-Bluetooth device to connect the piano Bluetooth.

Perfect Piano connection:

- 1.To download the perfect piano APP in your phone firstly;
- 2.Turn on the Bluetooth in your phone;
- 3.Connecting the GarageBand at first,after connection,then open perfect piano APP to use.

Android connection method:

Pop piano connection:

- 1.Scan the QR code to download the Pop piano;
- 2.Turn on the Bluetooth in your phone,some phone need to turn on the phone positioning;
- 3.Open the Pop piano,select any song,start playing after entering;
- 4.Click on the top left of the phone screen ,select after opening:Bluetooth connection-Next-confirm to connect with the Bluetooth;
- 5.Confirming Bluetooth connection,this icon is blue .

00.Blue-tooth MIDI light

Play the piano according the light,more suitable for newer to play.(only suit for blue-tooth light version)

.The operation steps for connecting the Bluetooth APP are the same as 00 items,different lights for left and right hands in Pop APP.

00.Blue-tooth audio function

.After turning on,the blue-tooth function automatically turns on and there is a prompt tone.To search "Music-Piano" in your phone to connect,there is a prompt tone after the connection is successful.Increase or decrease the volume or music selection should be made through your phone.(Only suit for blue-tooth audio version)

IV Accessory one:lists of tone

Tone Number	Name	Tone Number	Name
T00	Acoustic Grand Piano	T35	Fretless Bass
T01	Bright Acoustic Piano	T36	Slap Bass 1
T02	Electric Grand Piano	T37	Slap Bass 2
T03	Honky-tonk Piano	T38	Synth Bass 1
T04	Rhodes Piano	T39	Synth Bass 2
T05	Chorused Piano	T40	Violin
T06	Harpsichord	T41	Viola
T07	Clavichord	T42	Cello
T08	Celesta	T43	Contrabass
T09	Glockenspiel	T44	Tremolo Strings
T10	Music box	T45	Pizzicato Strings
T11	Vibraphone	T46	Orchestral Harp
T12	Marimba	T47	Timpani
T13	Xylophone	T48	String Ensemble 1
T14	Tubular Bells	T49	String Ensemble 2
T15	Dulcimer	T50	Synth Strings 1
T16	Hammond Organ	T51	Synth Strings 2
T17	Percussive Organ	T52	Choir Aahs
T18	Rock Organ	T53	Voice Oohs
T19	Church Organ	T54	Synth Voice
T20	Reed Organ	T55	Orchestra Hit
T21	Accordion	T56	Trumpet
T22	Harmonica	T57	Trombone
T23	Tango Accordion	T58	Tuba
T24	Acoustic Guitar (nylon)	T59	Muted Trumpet
T25	Acoustic Guitar (steel)	T60	French Horn
T26	Electric Guitar (jazz)	T61	Brass Section
T27	Electric Guitar (clean)	T62	Synth Brass 1
T28	Electric Guitar (muted)	T63	Synth Brass 2
T29	Overdriven Guitar	T64	Soprano Sax
T30	Distortion Guitar	T65	Alto Sax
T31	Guitar Harmonics	T66	Tenor Sax
T32	Acoustic Bass	T67	Baritone Sax
T33	Electric Bass(finger)	T68	Oboe
T34	Electric Bass (pick)	T69	English Horn

Tone Number	Name	Tone Number	Name
T70	Bassoon	T99	FX 4 (atmosphere)
T71	Clarinet	T100	FX 5 (brightness)
T72	Piccolo	T101	FX 6 (goblins)
T73	Flute	T102	FX 7 (echoes)
T74	Recorder	T103	FX 8 (sci-fi)
T75	Pan Flute	T104	Sitar
T76	Bottle Blow	T105	Banjo
T77	Shakuhachi	T106	Shamisen
T78	Whistle	T107	Koto
T79	Ocarina	T108	Kalimba
T80	Lead 1 (square)	T109	Bagpipe
T81	Lead 2 (sawtooth)	T110	Fiddle
T82	Lead 3 (caliope lead)	T111	Shanai
T83	Lead 4 (chiff lead)	T112	Tinkle Bell
T84	Lead 5 (charang)	T113	Agogo
T85	Lead 6 (voice)	T114	Steel Drums
T86	Lead 7 (fifths)	T115	Woodblock
T87	Lead 8 (bass+lead)	T116	Taiko Drum
T88	Pad 1 (new age)	T117	Melodic Tom
T89	Pad 2 (warm)	T118	Synth Drum
T90	Pad 3 (polysynth)	T119	Reverse Cymbal
T91	Pad 4 (choir)	T120	Guitar Fret Noise
T92	Pad 5 (bowed)	T121	Breath Noise
T93	Pad 6 (metallic)	T122	Seashore
T94	Pad 7 (halo)	T123	Bird Tweet
T95	Pad 8 (sweep)	T124	Telephone Ring
T96	FX 1 (rain)	T125	Helicopter
T97	FX 2 (soundtrack)	T126	Applause
T98	FX 3 (crystal)	T127	Drum kit
		T128	Drum kit

V Accessory two:lists of rhythm

Rhythm Number	Name	Rhythm Number	Name
R000	80sPop	R035	American march
R001	16Beat pop	R036	March style
R002	8Ballad	R037	Tarante
R003	8Beat soul	R038	Funk soul
R004	70sRock	R039	Rock waltz
R005	Afro pop	R040	Piano bar
R006	Rap pop	R041	Jazz waltz1
R007	60sSoul	R042	Jazz waltz2
R008	70sSoul	R043	16Beat tune
R009	Funky soul	R044	Poka dance
R010	16Beat slide	R045	Waltz
R011	The twist	R046	Cha-cha
R012	British pop	R047	Rumba
R013	Hard rock	R048	Rock rap
R014	Fusion jazz	R049	Bullfight dance
R015	Funk slide	R050	Samba1
R016	Fusion slide	R051	Samba2
R017	Brisk rock1	R052	Tango1
R018	Brisk rock2	R053	Tango2
R019	Passionate rock	R054	Fox step
R020	Jazz rock	R055	Jazz waltz
R021	Fast gospel	R056	Argentine Tango
R022	Poka rock	R057	Italian Tango
R023	Rock billie	R058	Bossanova
R024	Rock roll	R059	Shuffle1
R025	Rock cha-cha	R060	Shuffle2
R026	Rock classic	R061	House
R027	Rock slide	R062	Merengue
R028	Rock pop	R063	Salsa
R029	Early boca	R064	Disco Latin
R030	Poca pop	R065	Thailand
R031	Blues1	R066	Reggae1
R032	Blues2	R067	Salsa
R033	Blues3	R068	Indian improvisation
R034	Popular waltz	R069	Merengue

Rhythm Number	Name	Rhythm Number	Name
R070	Polka	R099	Disco foxtrot
R071	16Reggae	R100	Euro soul
R072	Slow rock1	R101	Disco funk1
R073	Slow rock2	R102	Disco funk2
R074	Slow soul5	R103	Jazz samba
R075	Jorpo	R104	Disco Party
R076	Lambada	R105	Popular Samba
R077	Love ballad	R106	Club dance
R078	Plena	R107	Modern blues
R079	China	R108	Melancholy Foxtrot
R080	Acid	R109	Mambo
R081	8Beat modern	R110	Disco soul
R082	Country folk	R111	Disco
R083	Love songs	R112	Cobmo
R084	City pop	R113	Swing beat
R085	Electronic pop	R114	Krump
R086	Auditory folk	R115	Band marche1
R087	Piano Ballads	R116	Band marche2
R088	soul8.mid	R117	Band marche3
R089	Rock folk	R118	Big band1
R090	Slow and light	R119	Big band2
R091	Similar ballad	R120	Wild pop
R092	Majestic pop	R121	Southern jazz
R093	Kinetic1	R122	Popular jazz
R094	Kinetic2	R123	Jazz band
R095	Funk disco	R124	Jazz club
R096	Saturday night	R125	Habanera
R097	Twist	R126	Bachata1
R098	Euro beat	R127	Bachata1

VI Accessory three:name lists of demo

Demo Number	Name	Demo Number	Name
D00	Jasmine	D15	Sweet honey
D01	Why are the flowers so red	D16	Susanna
D02	Butterfly Lovers	D17	Do-Re-Mi
D03	Entering a new era	D18	Moon River
D04	Girl of Alishan	D19	Mary has a little sheep
D05	Qinghai Tibet Plateau	D20	Hotels in the Pacific
D06	InThePlace PeachBlossom	D21	Crazy 1900
D07	Vox dance remix	D22	Family Restaurant
D08	Liuyang River	D23	Johnny the surfer
D09	Curvy Moon	D24	Sinbad hands
D10	Childhood	D25	New paradise
D11	Good days	D26	Happy birthday
D12	Go home often	D27	Carmen
D13	Night of grassland	D28	Short song
D14	Radiant	D29	Jingle bells

VII. The protection of piano:

1. Use the soft and clean towel to clean the piano
2. Should be collected well after using, do not put the piano in the humid and hot place.

VIII. Precautions for using an electric piano:

- . Do not split any part of the electronic piano
- . Do not put the piano in the humid and hot place
- . Do not put the piano in the the place with strong wave, in order not to effect the function of the piano.

IX. Trouble shooting

- . If the sound is abnormal or the key is invalid, please re-open the piano, restore the original setting.
- . If the battery voltage is low, the sound may be abnormal or the keys may be invalid. Please charge in time.

X. Product specifications

1. Product size: 88keys L1234*210*67MM
61keys L866*210*67 MM
2. N.W: 88keys 4.92 KG
61keys 3.53 KG
3. Input voltage: USB DC 5V